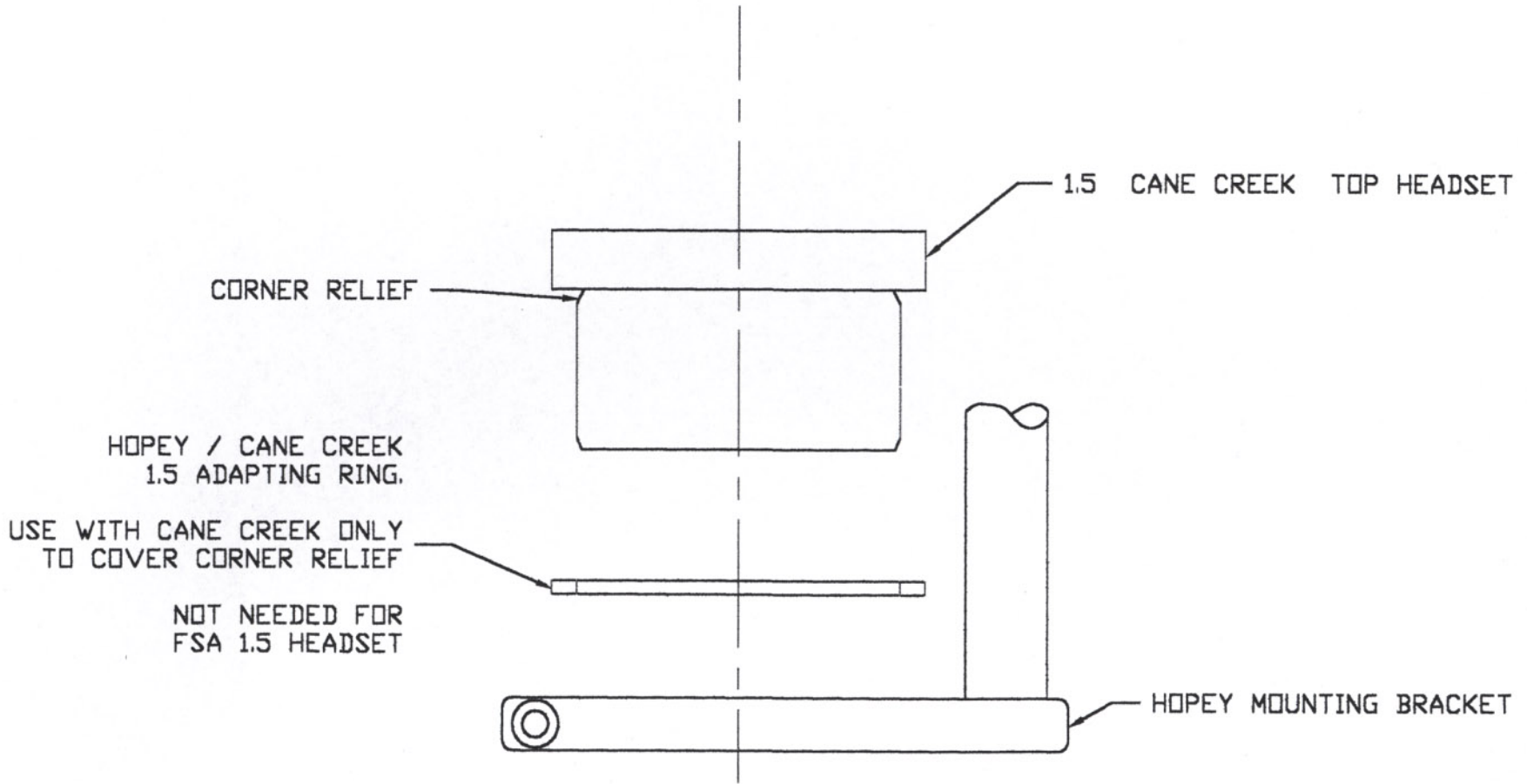


REVISIONS				
ZONE	REV	DESCRIPTION	DATE	APPROVED



hōpey

UNSPECIFIED TOLERANCES X.X = +/- 0.032" X.XX = +/- 0.005" X.XXX = +/- 0.001"		TITLE		DWG NO.	
MATERIAL	DRFTR	DATE	SCALE	REV	