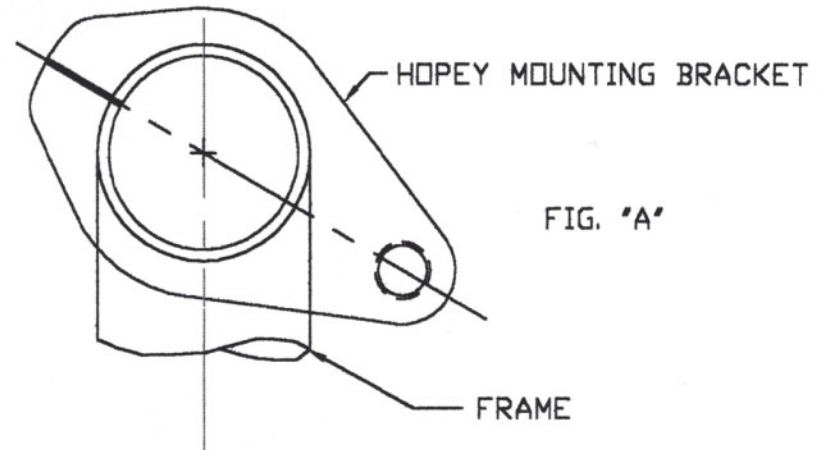
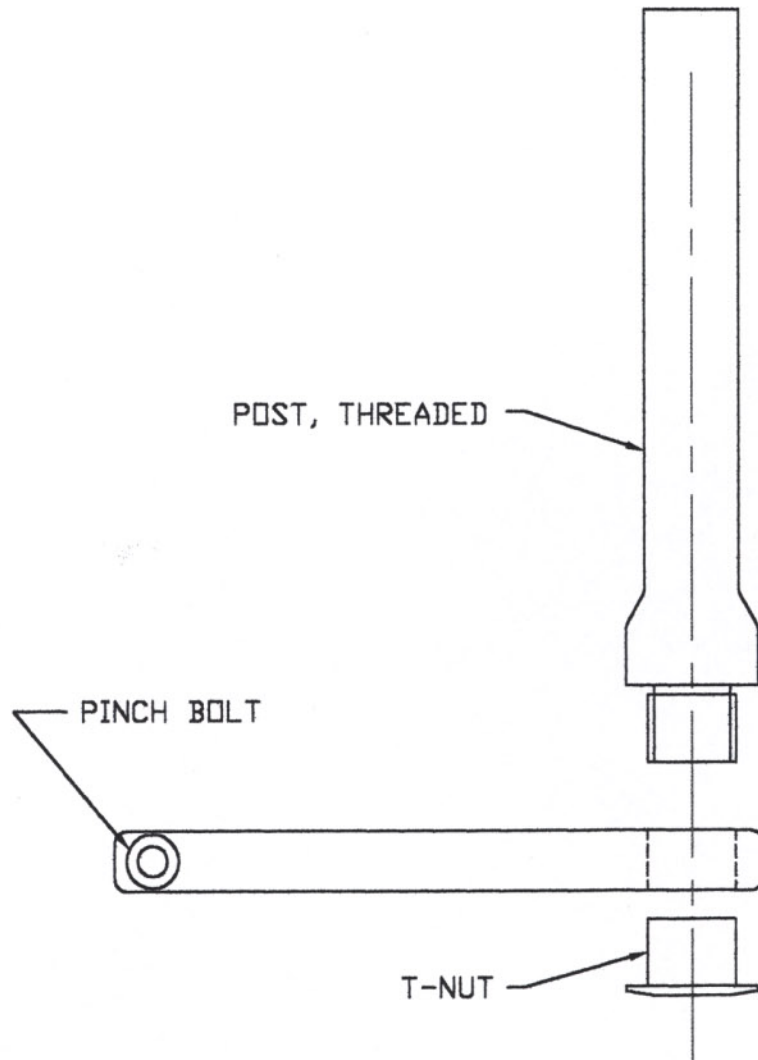


| REVISIONS | | | | |
|-----------|-----|-------------|------|----------|
| ZONE | REV | DESCRIPTION | DATE | APPROVED |

RETRO POST KIT

INSTALLATION INSTRUCTIONS

- 1 LOOSEN PINCH BOLT IN MOUNTING BRACKET AND PIVOT BRACKET TO THE SIDE, AWAY FROM FRAME. (REF FIG. 'A')
- 2 REMOVE OLD POST. IF OLD POST IS TIGHT IN BRACKET, PRESS OUT USING A 'C-CLAMP'.
- 3 PRESS 'T-NUT' IN FROM UNDERSIDE OF BRACKET AS SHOWN USING A 'C-CLAMP'. NOTE, APPLY GREASE TO 'T-NUT' TO EASE THE PRESS FIT. PRESS FIT IS VERY LIGHT, A 'C-CLAMP' MAY NOT BE NEEDED FOR INSTALLATION.



hōpey

| | | | | | |
|------------------------|--|----------------|-------|---------|-------|
| UNSPECIFIED TOLERANCES | | TITLE | | DWG NO. | |
| X.X = +/- 0.032" | | RETRO POST KIT | | | |
| X.XX = +/- 0.005" | | MATERIAL | DRFTR | DATE | SCALE |
| X.XXX = +/- 0.001" | | | | | REV |